

ERF4051, 868 MHz antenna, SMA Male connector

Features

Electrical Properties

Parameter:	Description
Frequency Band:	842 ~ 886 MHz / 1140 ~ 1330 MHz / 2500 ~ 2560 MHz
Nominal Impedance:	50 Ω
Polarization:	Linear
V.S.W.R:	< 2.5

Mechanical Properties

Parameter:	Description
Antenna Type:	External Antenna
Mounting Method:	Screw Type
Connector Type:	SMA (Male)
Antenna Dimensions:	54.4 ± 1.5 mm
Antenna Color:	Black
Operating Temperature Range:	-40°C~+85°C
Storage Temperature Range:	-40°C~+85°C



Typical applications

- M2M applications
- IoT
- GSM

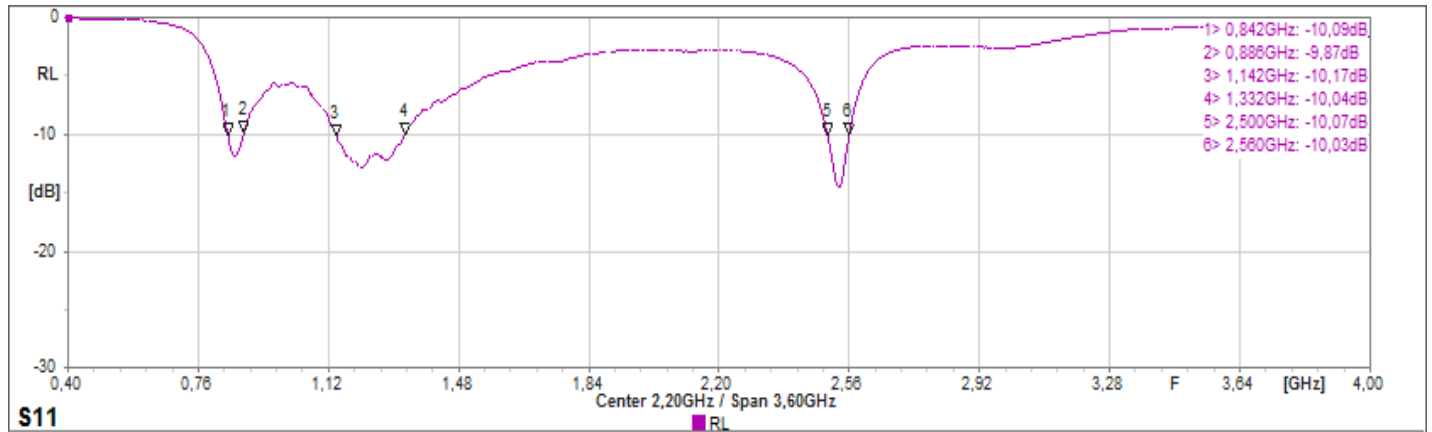
Description

The ERF4051 antenna is a black 868 MHz antenna with a SMA (Male) connector. The antenna can also be used in the frequency range of 840 ~ 886 MHz / 1140 ~ 1330 MHz / 2500 ~ 2560 MHz . The antenna can be used for applications , such as M2M, IoT , GSM and more.

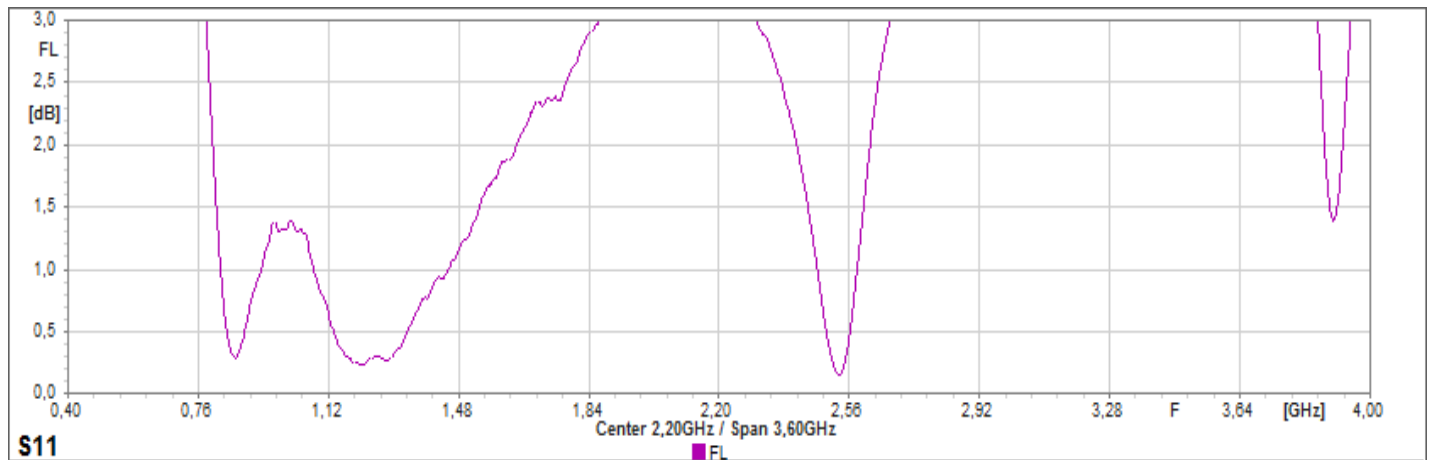
ERF4051, 868 MHz antenna, SMA Male connector

Antenna Properties

Return Loss

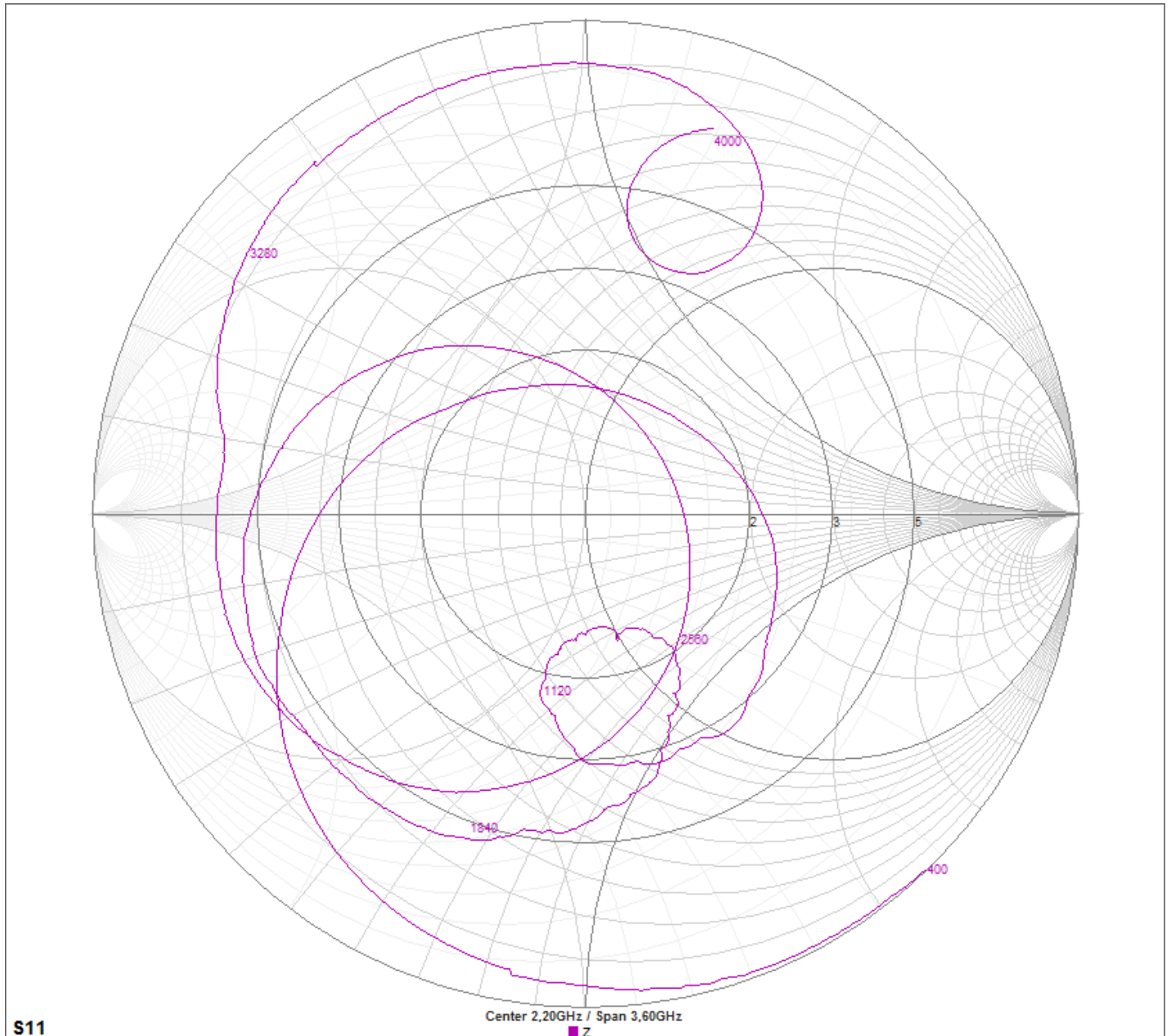


Forward Loss



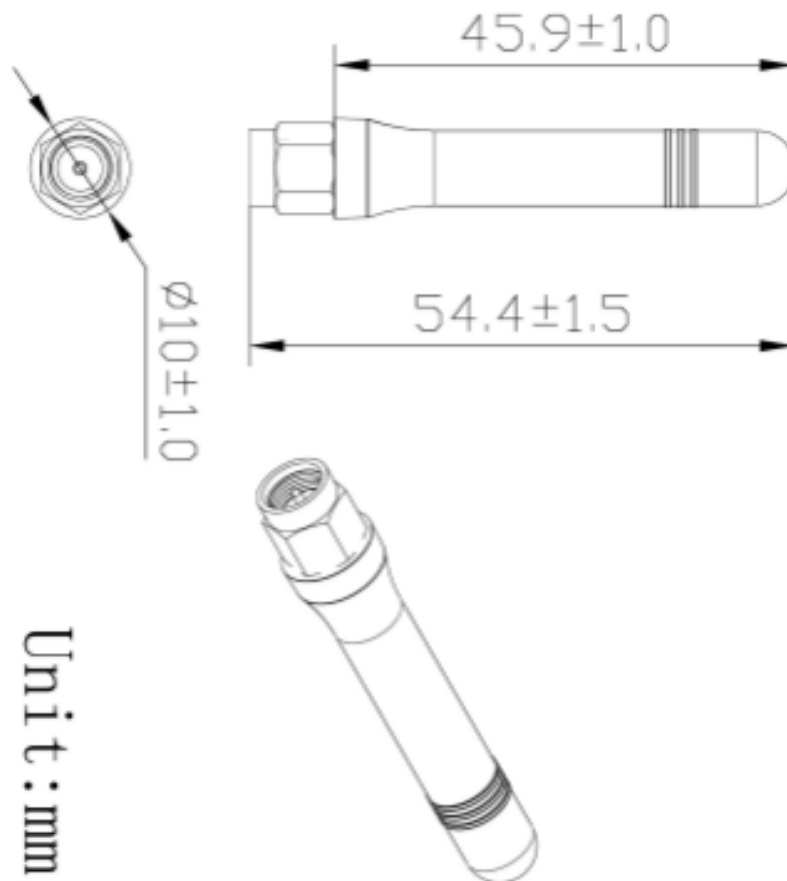
ERF4051, 868 MHz antenna, SMA Male connector

Impedance



ERF4051, 868 MHz antenna, SMA Male connector

Dimensions



ERF4051, 868 MHz antenna, SMA Male connector

Different type of SMA connectors**SMA Male****SMA Female****RP-SMA Male****RP-SMA Female**

The ERF4051 antenna uses the SMA Male connector.

Ordering information

Ordering can be done via www.summit-electronics.com or via info@summit-electronics.com. Please contact us for more information. Customisation of the product is available on request.

Technical support

For all product questions please contact us via info@summit-electronics.com